

# ET MODULE ET-P672

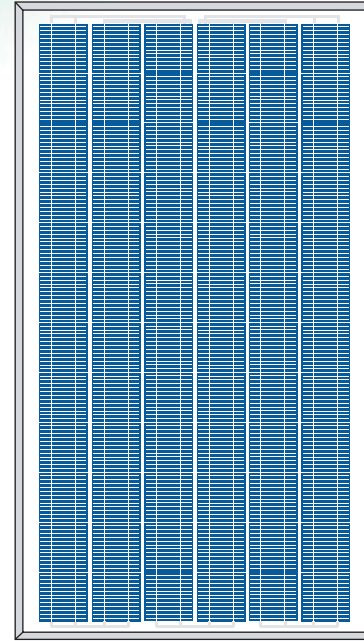
- Industry leading power tolerance
- 48 hour response
- Local technical support
- Local warehouses
- German manufacturing techniques
- Product liability insurance
- More than 100MW installed worldwide
- High quality raw materials
- Outstanding performance
- Enhanced design for easy installation and long term reliability
- Custom design with wide power selection down to 5W
- 25-year warranty on power output. 5-year warranty on materials and workmanship

The logo for ET Solar, featuring the letters 'ET' in a large, stylized blue font, with the word 'Solar' in a smaller, blue sans-serif font to its right.

**ET** Solar

# ET MODULE Poly

ET-P672280 280Wp  
 ET-P672275 275Wp  
 ET-P672270 270Wp  
 ET-P672265 265Wp  
 ET-P672260 260Wp  
 ET-P672255 255Wp



IEC 61215 Ed.2  
 IEC 61730



## SPECIFICATIONS

Model type	ET-P672280	ET-P672275	ET-P672270	ET-P672265	ET-P672260	ET-P672255
Peak power (Pmax)	280W	275W	270W	265W	260W	255W
Cell type	156mm x 156mm					
Number of cells	72 cells in series					
Weight	22.86 kg (50.4 lbs)					
Dimensions	1956×992×50 mm (77×39.1×1.97 inch)					
Cell Efficiency	16.47%	16.18%	15.89%	15.59%	15.30%	15.00%
Module Efficiency	14.43%	14.17%	13.92%	13.66%	13.40%	12.14%
Maximum power voltage (Vmp)	36.72V	36.72V	36.40V	36.40V	36.00V	35.20V
Maximum power current (Imp)	7.63A	7.49A	7.42A	7.28A	7.23A	7.23A
Open circuit voltage (Voc)	43.78V	43.78V	43.63V	43.63V	43.49V	43.88V
Short circuit current (Isc)	7.98A	7.96A	7.90A	7.90A	7.79A	7.85A
Power Tolerance	-1 to +3%					
Maximum system voltage	DC 1000V					
Temp. Coeff. of Isc (TK Isc)	0.065 %/°C					
Temp. Coeff. of Voc (TK Voc)	-0.346 %/°C					
Temp. Coeff. of Pmax (TK Pmax)	-0.46 %/°C					
Normal Operating Cell Temperature	45.3±2°C					
Series fuse rating (A)	12A					
Number of bypass diode	3					
Max Load	2400Pascals ( 50lb/ft <sup>2</sup> )					

Note: the specifications are obtained under the Standard Test Conditions (STCs): 1000 W/m<sup>2</sup> solar irradiance, 1.5 Air Mass, and cell temperature of 25°C.

The NOCT is obtained under the Test Conditions : 800 W/m<sup>2</sup>, 20°C ambient temperature, 1 m/s wind speed, AM 1.5 spectrum.

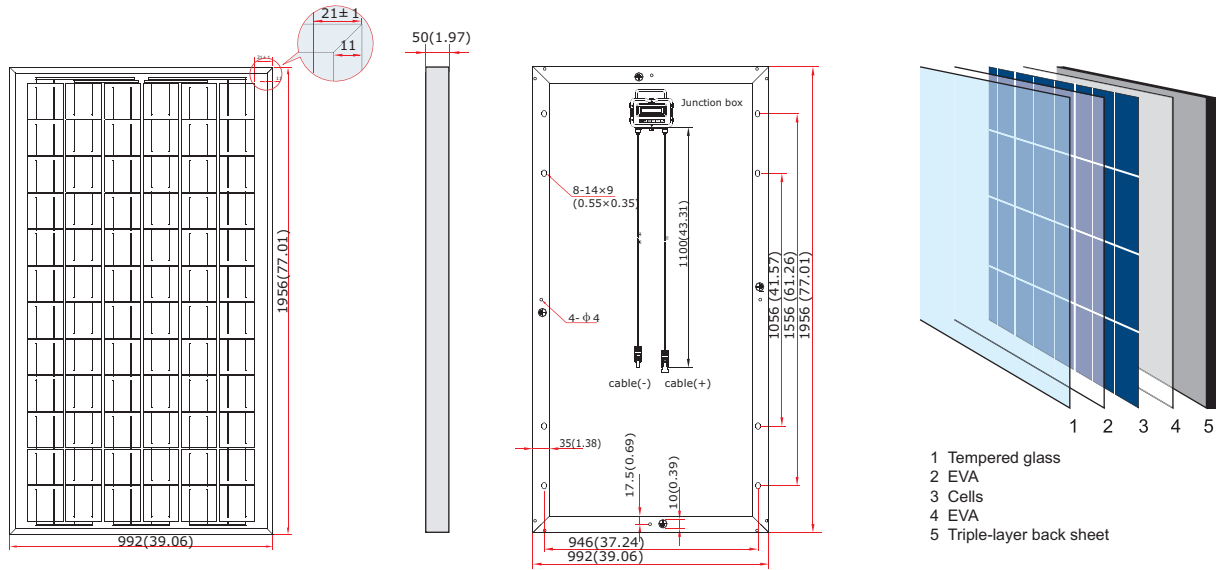
Please contact [support@etsolar.com](mailto:support@etsolar.com) for technical support.

The parameters may be changed without notice due to product improvement.

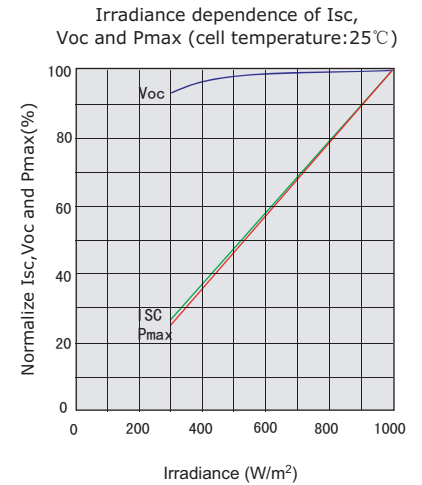
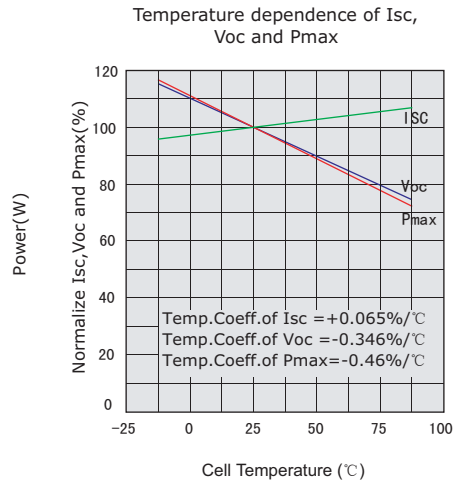
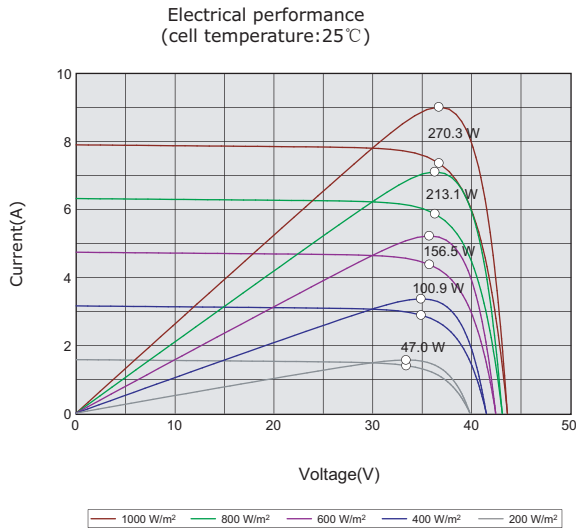
# ET Module

ET-P672280 ET-P672275 ET-P672270 ET-P672265 ET-P672260 ET-P672255

## PHYSICAL CHARACTERISTICS Unit:mm (inch)



## ELECTRICAL CHARACTERISTICS





*Passion for Green*

● **Headquarters (ET Solar Asia)**

**Nanjing**

Add: 24F, A2 World Trade Center Mansion,  
67 Shanxi RD, Nanjing 210009, China

**Taizhou**

Add: 97 Jiangzhou South RD, Taizhou 225300, China

Tel: +86 25 8689 8098

Fax: +86 25 8689 8097

E-mail: [sales@etsolar.com](mailto:sales@etsolar.com)

● **ET Solar Korea**

Add: B-605, Ssangyong IT Twin Tower, 442-5,  
Sangdaewon-Dong, Jungwon-Gu, Seongnam City,  
Gyeonggi-Do, 462-723, Korea.

Tel: +82 31 732 4131

Fax: +82 31 732 4132

E-mail: [sales@etsolar.com](mailto:sales@etsolar.com)

● **ET Solar Europe**

Add: Im Munich City Tower,  
Landsbergerstr. 110-114, D-80339,  
Munich, Germany

Tel: +49 89 500 9405-0

Fax: +49 89 500 9405-99

E-mail: [sales@etsolar.de](mailto:sales@etsolar.de)

● **Italy Office**

Add: Via Boezio 6, 00193 Roma, Italy

Tel: +39 0632 803428

Fax: +39 0632 803400

E-mail: [sales@etsolar.it](mailto:sales@etsolar.it)

● **ET Solar USA**

Add: 4900 Hopyard Road, Suite 290,  
Pleasanton, CA 94588, USA

Tel: +1-(925)-460-9898

Fax: +1-(925)-460-9929

E-mail: [sales@etsolar.us](mailto:sales@etsolar.us)

[www.etsolar.com](http://www.etsolar.com)